

100 GHz DWDM OADM Modules

Features

- 100 GHz channel spacing
- Low insertion loss
- High channel isolation
- Epoxy-free optical path
- High stability and reliability

Application

- Add/Drop systems
- CATV systems
- Dense WDM Systems



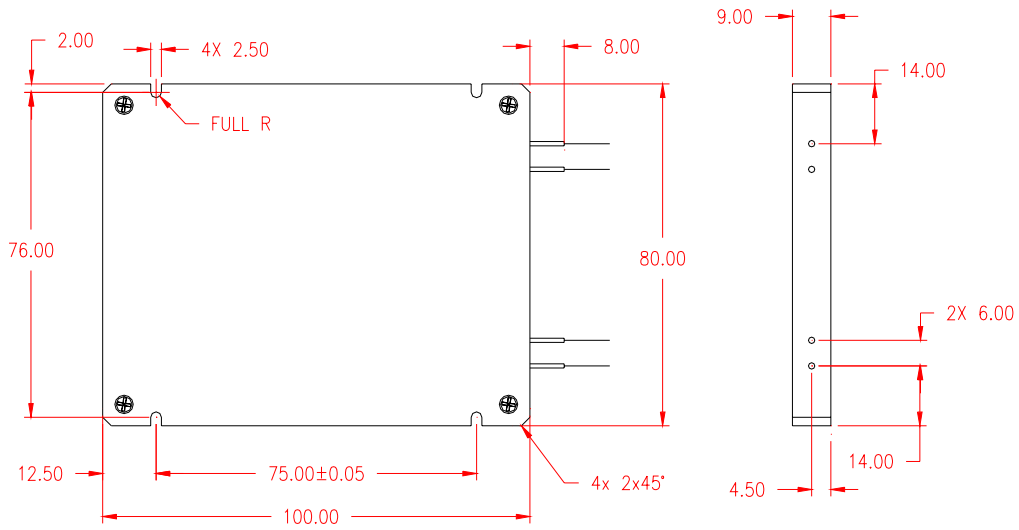
Specifications

Parameter		Unit		1 Channel	2 Channel
Center Wavelength (λ_c)		nm	-	C & L Band, ITU 100 GHz Grid	
Channel Spacing		GHz	-	100	
Channel Pass Band		nm	Min	ITU \pm 0.11	
Insertion Loss	Add / Drop Channel	dB	Max	1.0	1.5
	Express Channel	dB	Max	0.8	1.4
Isolation	Adjacent Channel	dB	Min	25	
	Non-Adjacent Channel	dB	Min	40	
	Express Channel	dB	Min	25	
Add / Drop Channel Ripple		dB	Max	0.4	
Polarization Dependent Loss		dB	Max	0.1	
Polarization Mode Dispersion		ps	Max	0.1	
Return Loss		dB	Min	45	
Directivity		dB	Min	50	
Power Handling		mW	Max	300	
Tensile Load		N	Max	5	
Operating Temperature		$^{\circ}$ C	-	-5 ~ 65	
Storage Temperature		$^{\circ}$ C	-	-40 ~ 85	
Package Dimension		mm	-	100 (L) x 80. (W) x 9 (H)	

- (1) Values referenced without connector loss. Operating temperature and all state of polarization effects are considered.
- (2) Customized package size is available.
- (3) C specify – Customer specify.

Package dimension

1 CH OADM Module



Ordering Information

OADM — —

Type of Filter	Add/drop Ch Numbers	X	ITU Channel Number	Fiber Type	Fiber Jacket	Fiber Length	Connector Type
1 – 100 GHz	1 – 1 Ch Add/Drop 2 – 2 Ch Add/Drop	0	ITU Standard Channel Number (see the ITU channel table)	1 – Corning SMF-28	1 – 250 μ m 2 – 2 mm 3 – 3 mm 6 – 1.6 mm 9 – 900 μ m	1 \geq 1m X – C specify	0 – None 1 – FC/UPC 2 – FC/APC 3 – SC/UPC 4 – SC/APC 5 – LC 6 – MU X – C Specify

i.e. : **OADM-110C43-1213**

OADM – 100 GHz module, 1 channel add/drop, C-band channel 43 – Corning SMF-28 fiber, 2 mm cable, 1 m pigtail length, SC/UPC connectors.

Contact Information

For more information about BATi's' leadership in variable optical attenuation and modulation technology and other optical networking modules and components, visit our website at www.bostonati.com.

To obtain additional technical information or to place an order for this product, please contact us at:

Phone: 1-781-935-2800
 Fax: 1-781-935-2860
 E-mail: sales@bostonati.com